

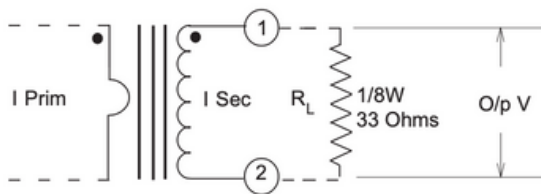
MCTSeries • High Accuracy Current Transformers

Features

- Primary current range 50-150A
- 1% accuracy
- Operating frequency 50/60Hz
- Turns Ratio 2500 : 1 Rated burden resistance 33 Ohms
- Dielectric withstand voltage 4KVrms
- Operating temperature range -40 to +85°C
- All Materials UL94V-0
- Manufactured in an ISO 9001:2015 and ISO 14001:2015
- certified Miracle facility
- Fully RoHS & REACH Compliant



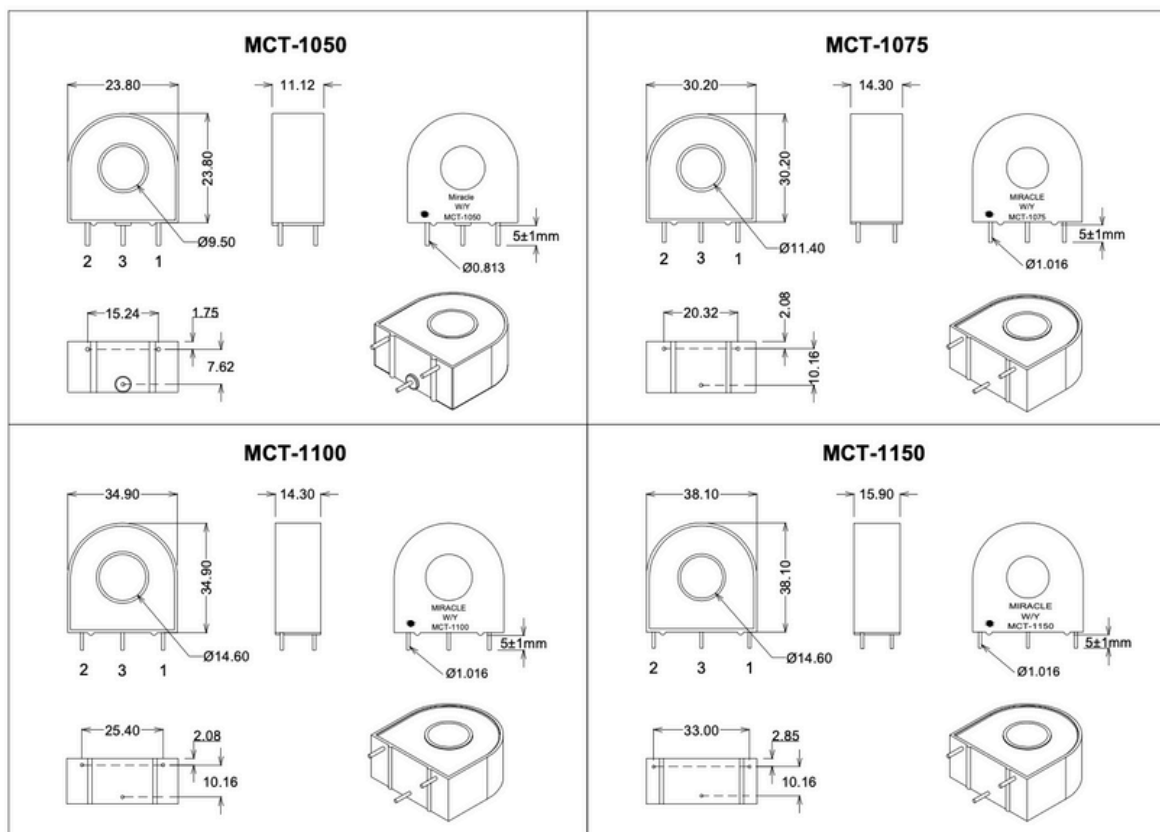
Schematic



Electrical Specifications @ 20°C

Part No.	Current Rating in Amps	Winding Resistance in Ohms
MCT-1050	50	171
MCT-1075	75	227
MCT-1100	100	155
MCT-1150	150	135

Mechanical Drawing



Dimensional Unit: mm, Tolerance: ± 0.25 mm (Unless Specified) | Pin Pitch Tolerance: ± 0.10 mm.
Pin #3 for Mechanical Support.

MCT Series • High Accuracy Current Transformers

Response Curves

